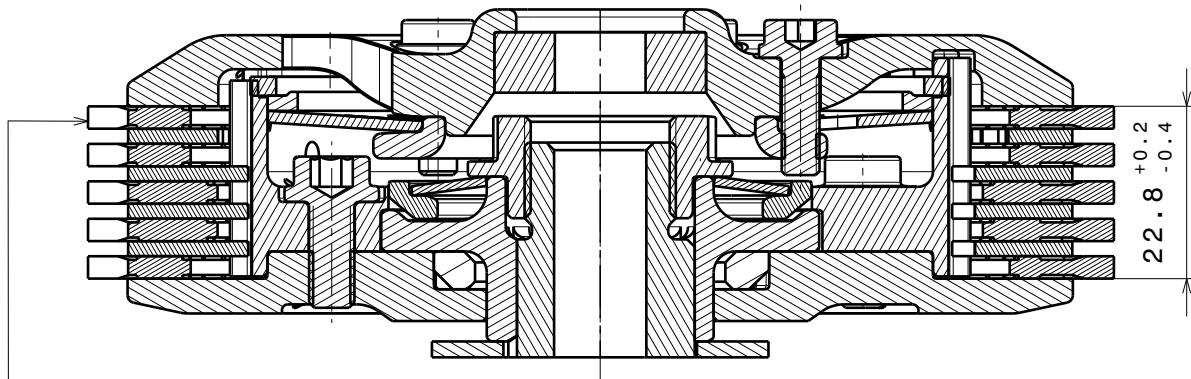
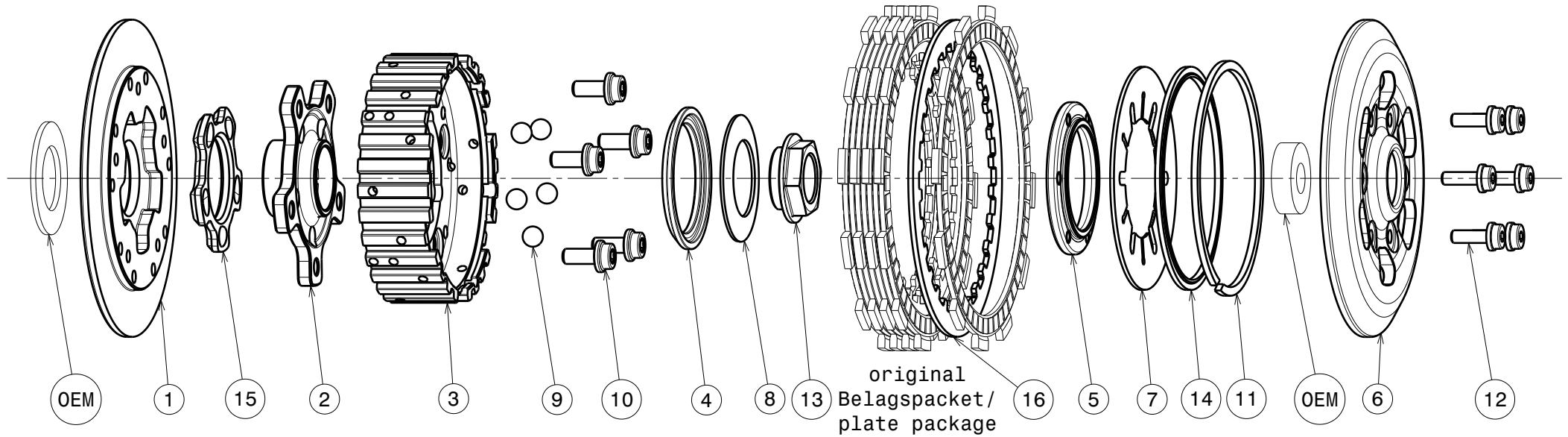


004-67002-0 SuterClutch Kawasaki Ninja 400 2018



Diese Stahlscheibe muss durch die mitgelieferte (Pos.16) ersetzt werden
This steel disk has to be replaced with the delivered one (Pos.16)

Das angegebene Belagspaketmass ist zwingend einzuhalten!
The plate package thickness must be strictly adhered to!

Partlist: 2290			
ITEM	PART NAME	SRT NUMBER	QTY
1	Back Plate	004-67721	1
2	Hub Carrier	004-67700	1
3	Inner Hub	004-67741	1
4	Release Ring 3.1x5.0	004-00976	1
5	Clamp Hub 2mm H=3.5	004-00532	1
6	Pressure Plate	004-67941	1
7	Disk Spring Main 47x88x1310N	004-88131	1
8	Torque Limiter Spring 1100N	004-50110	1
8.1	Torque Limiter Spring 950N	004-50095	1
8.2	Torque Limiter Spring 1300N	004-50130	1
9	Ball 8mm	004-17801	5
10	Bolt M6x14	004-17814	5
11	Circlip 90mm	004-17804	1
12	Distance Bolt M5 L=15.5mm	004-05155	6
13	Main Nut M20x1.5	004-67995	1
14	Locking Ring 88mm	004-00688	1
15	Ramp Insert 32.5°	004-00723	1
16	Steel Disk Ninja 400	004-67921	1