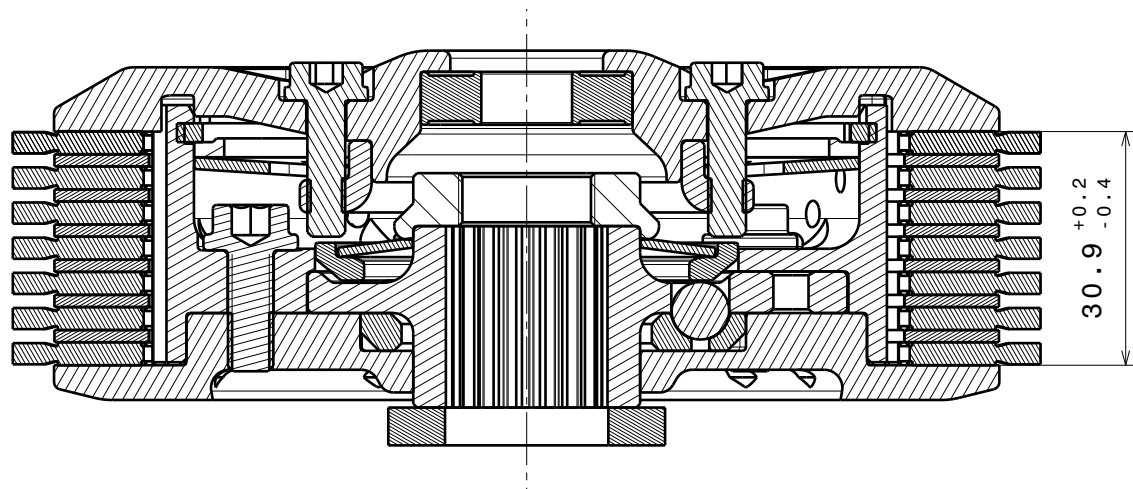
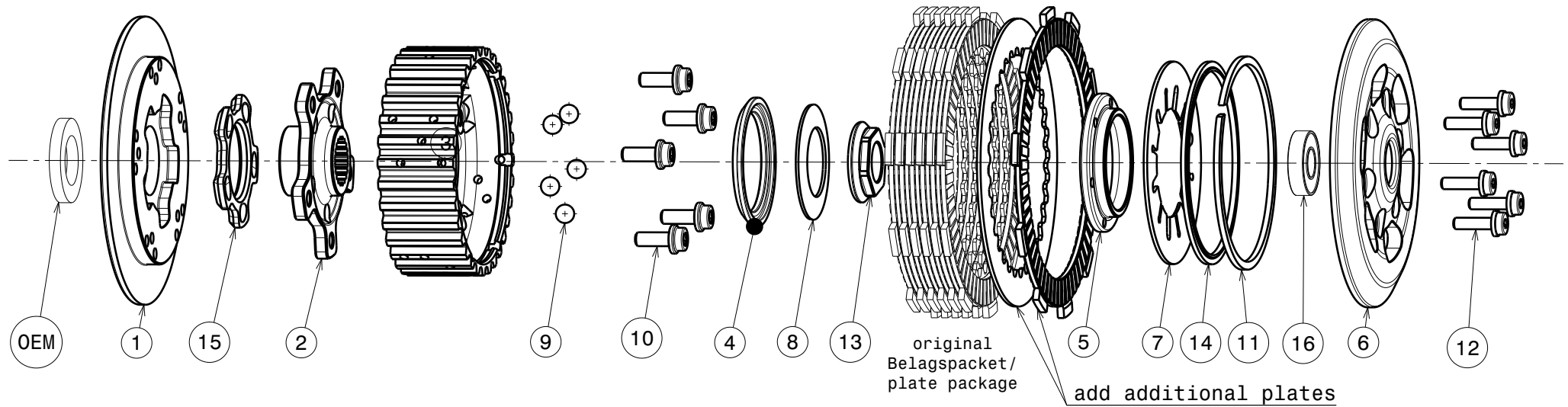


004-66002-0 SuterClutch Yamaha R25



Das angegebene Belagspaketmass ist zwingend einzuhalten!
The plate package thickness must be strictly adhered to!

ITEM LIST (1852)			
ITEM	PART NAME	SRT NUMBER	QTY
1	Back Plate	004-66720	1
2	Hub Carrier	004-66700	1
3	Inner Hub	004-66740	1
4	Release Ring	004-00976	1
5	Klamp Hub 5mm	004-00505	1
6	Pressure Plate	004-66940	1
7	Disk Spring Main 47x88x1235N	004-88123	1
	Torque Limiter Spring 1100N	004-50110	1
8	Torque Limiter Spring 1300N	004-50130	(1)
	Torque Limiter Spring 950N	004-50095	(1)
9	BALL 8mm	004-17801	5
10	Bolt M6x16 Hexagon Socket	004-17816	5
11	Circlip 90mm	004-17804	1
12	Distance Bolt M5 L=18.0mm	004-05180	6
13	Nut M18x1 L=1.8	004-999181018	1
14	Locking Ring 88mm	004-00688	1
15	Ramp Insert 32.5°	004-00723	1
16	Ball Bearing 12x28x7	999-50016001	1