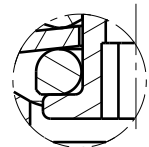
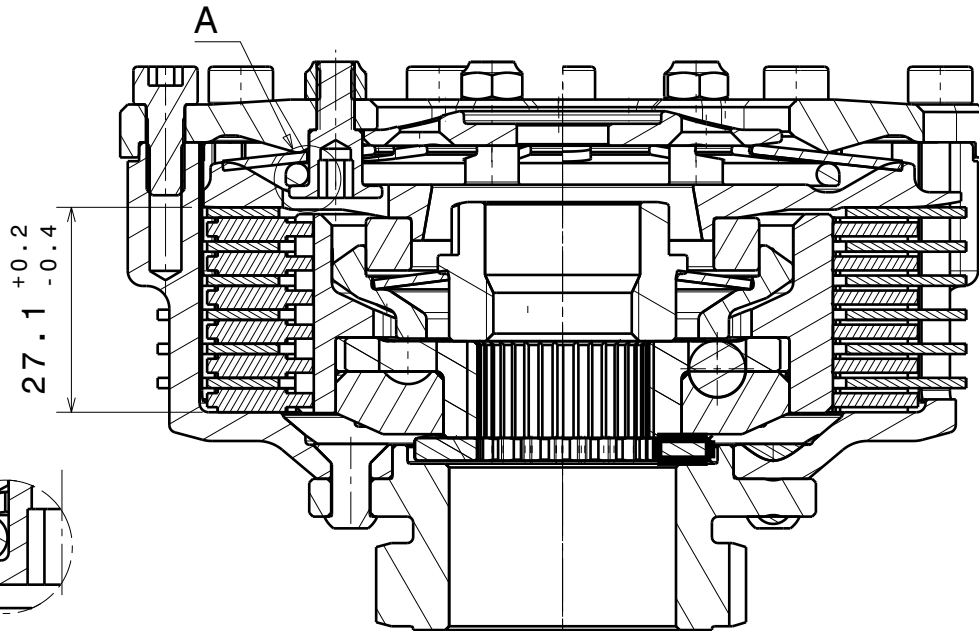
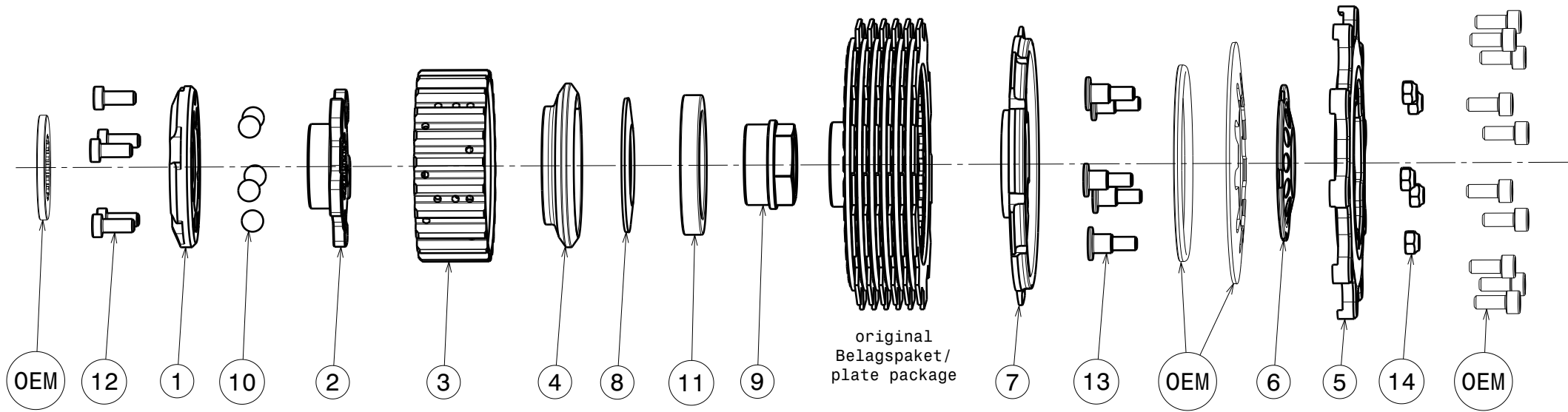


004-45003-2 SuterClutch

BMW G450

2010-

Husqvarna 449/511 2011-2013



Detail A
2:1

-Das angegebene Belagspaketmass ist zwingend einzuhalten!
-The plate package thickness must be strictly adhered to!

ITEMS LIST 381			
ITEM	PART NAME	SRT NUMBER	QTY
1	BACK PLATE 26°	004-45721	1
2	HUB CARRIER	004-45701	1
3	INNER HUB	004-45742	1
4	RELEASE RING	004-45976	1
5	PRESSURE PLATE OUTSIDE	004-45941	1
6	PRESSURE PLATE INSIDE	004-45946	1
7	PRESSURE RING	004-45961	1
8	TORQUE LIMITER SPRING 150N	004-50015	1
8.1	TORQUE LIMITER SPRING 300N	004-50030	1
9	NUT M20X1.5	004-45952	1
10	BALL 8.0MM 60HRC	004-17801	5
11	BEARING 40X52X7	999-5006808 LU	1
12	BOLT M5X12	BN4850-M5x12	5
13	BOLT PRESSURE PLATE	004-45948	5
14	NUT SELFLOCKING M5	BN161-M5	5