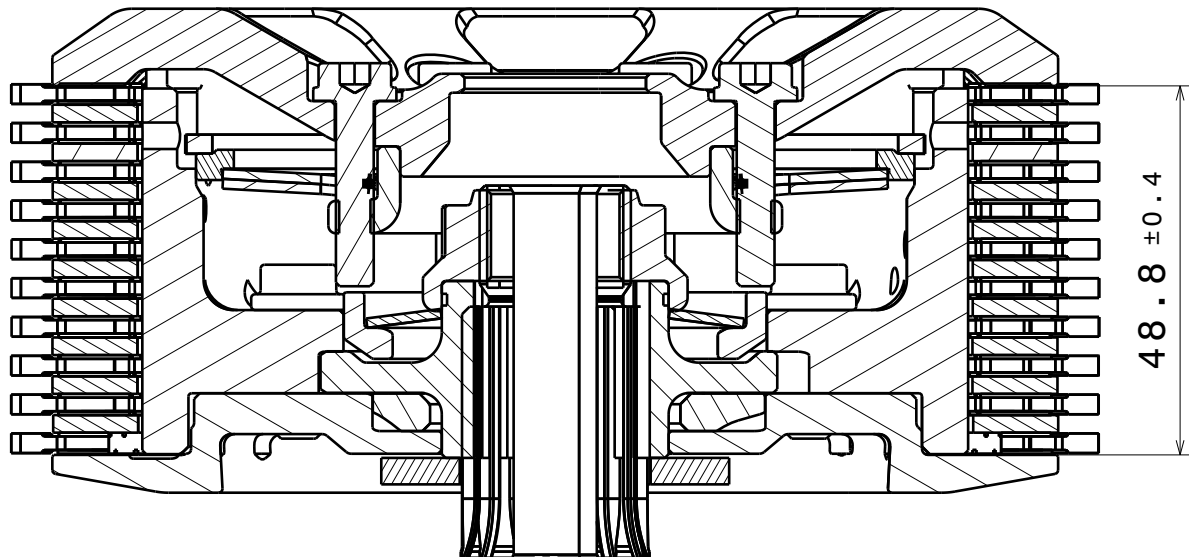
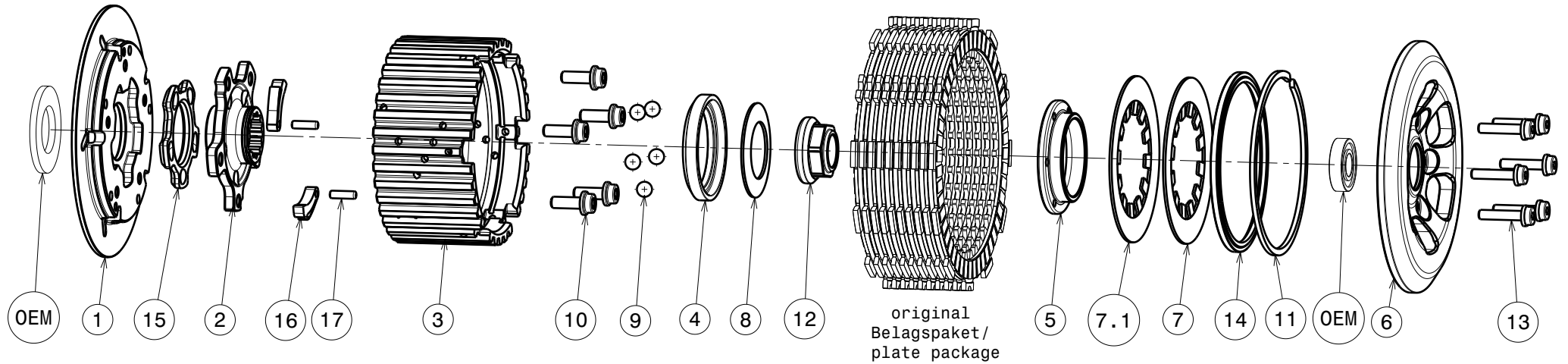


004-44025-2 SuterClutch BMW S1000RR Starter Racks 2009-2016



Das angegebene Belagspaketmass ist zwingend einzuhalten!
The plate package thickness must be strictly adhered to!

Optional für Einzelfedersystem:

Optional for single spring system:

Ersetze / Replace:

Pos. 5 with 004-00506 Klamp Hub 6mm

Pos. 7 and 7.1 with 004-88170 Disk Spring Main 88x47x1700N

ITEM LIST 612

ITEM	PART NAME	SRT NUMBER	QTY
1	BACK PLATE RACKS	004-44727	1
2	HUB CARRIER RACKS	004-44701	1
3	INNER HUB RACKS	004-44746	1
4	RELEASE RING	004-12975	1
5	KLAMP HUB 7mm	004-00507	1
6	PRESSURE PLATE	004-44945	1
7	DISK SPRING MAIN 88x47x800N	004-88080	1
7.1	DISK SPRING MAIN 88x47x800N	004-88080	1
8	TORQUE LIMITER SPRING 750N	004-50075	1
8.1	TORQUE LIMITER SPRING 950N	004-50095	1
8.2	TORQUE LIMITER SPRING 1100N	004-50110	1
9	BALL 8.0MM	004-17801	5
10	SCREW M6x17	004-17802	5
11	CIRCLIP 95mm	004-17813	1
12	NUT M20x1.5 L=4.0	004-999201540	1
13	DISTANCE SCREW M5x24.5	004-05245	6
14	LOCKING RING 95	004-00695	1
15	RAMP INSERT 35°	004-00724	1
15.1	RAMP INSERT 32.5°	004-00723	1
15.2	RAMP INSERT 37.5°	004-00725	1
16	RACK ELEMENT	004-35761	2
17	PIN ø4x14 BN848	004-28780	2