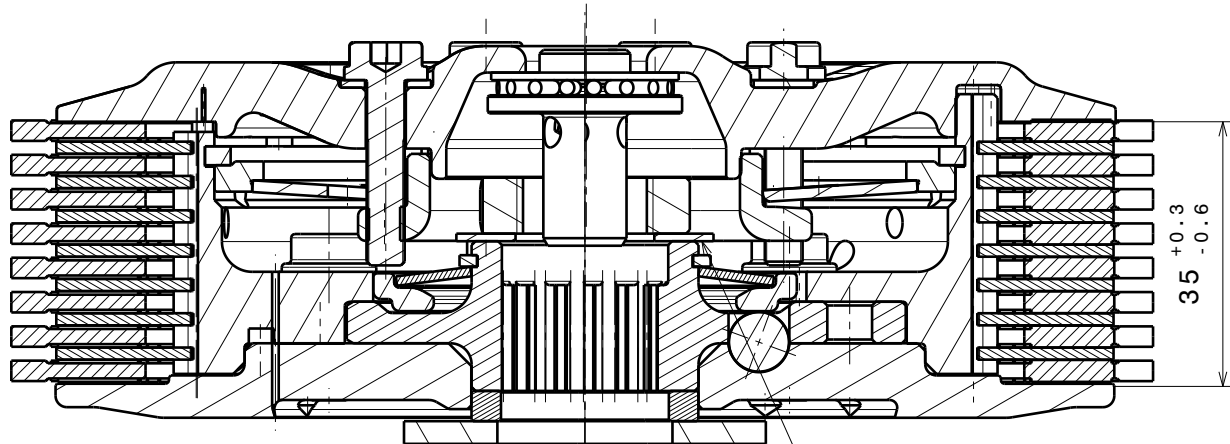
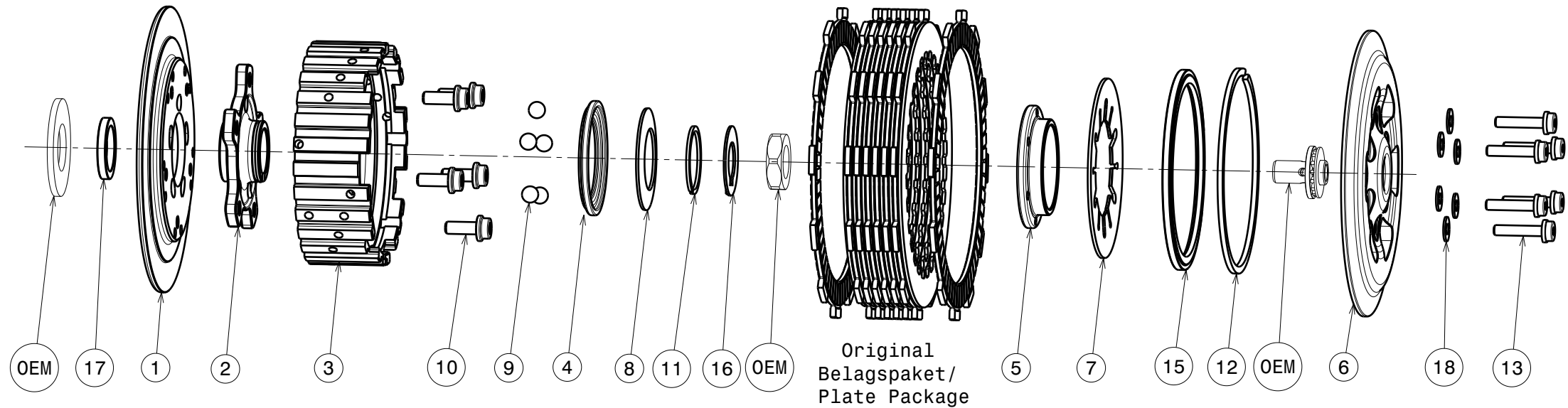


004-42001-2 SuterClutch TM450



-Die Scheibe Nr.16 biegen um die Mutter zu sichern!
-Bend the washer No.16 to lock the nut!

Das angegebene Belagspaketmass ist zwingend einzuhalten!
The plate package thickness must be strictly adhered to!

ITEMS LIST (506)			
ITEM	PART NAME	SRT NUMBER	QTY
1	BACK PLATE 30°	004-21720	1
2	HUB CARRIER	004-27703	1
3	INNER HUB	004-08740	1
4	RELEASE RING	004-00976	1
5	KLAMP HUB 7.0mm	004-00507	1
6	PRESSURE PLATE	004-42941	1
7	DISK SPRING MAIN 47x88x1310N	004-88131	1
8	TORQUE LIMITER SPRING 1100N	004-50110	1
8.1	TORQUE LIMITER SPRING 750N	004-50075	1
8.2	TORQUE LIMITER SPRING 950N	004-50095	1
8.3	TORQUE LIMITER SPRING 1300N	004-50130	1
9	BALL 8.0MM	004-17801	5
10	SCREW M6x16	004-17816	5
11	Circlip 30mm	004-17803	1
12	CIRCLIP 100mm	004-17833	1
13	DISTANCE SCREW M5x24.5	004-05245	6
15	LOCKING RING 98	004-00698	1
16	LOCKING WASHER	004-08670	1
17	ADAPTER BUSH ø30/22x4	004-42950	1
18	DISTANCE WASHER 1.0mm	004-00010	6