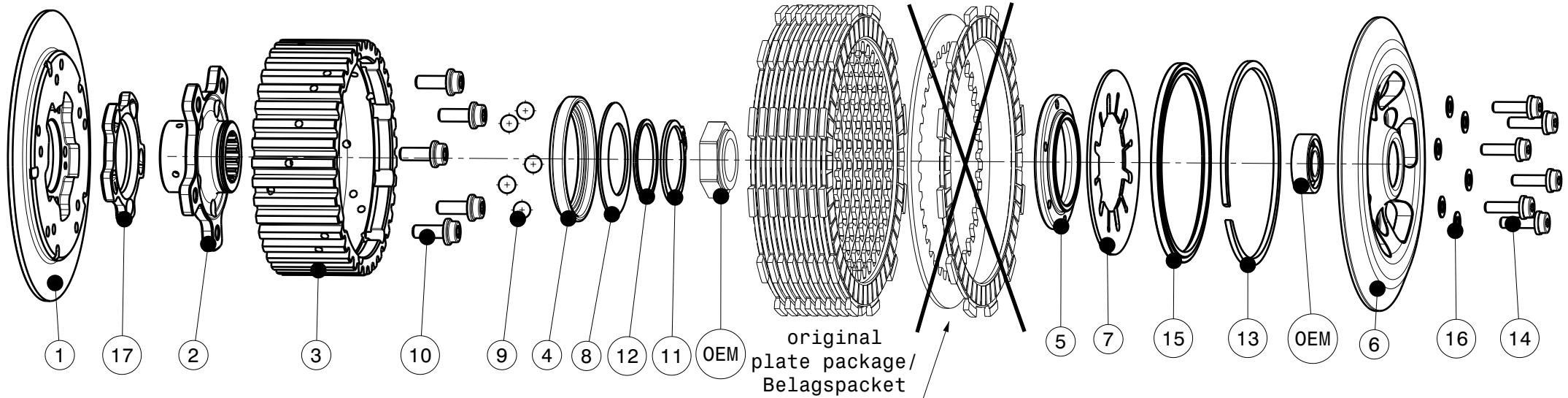
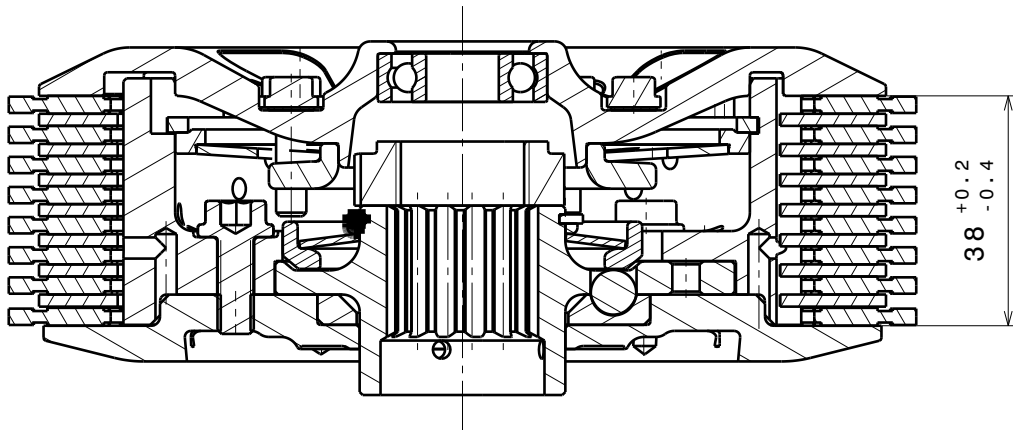


004-36003-1 SuterClutch MV-Agusta F3 675/800 2013-2016



**Nur 800ccm: Entfernen Sie die erste Reib- und Stahlscheibe!
Only 800cc: Remove the first friction and steel disk!**



**Das angegebene Belagspaketmass ist zwingend einzuhalten!
The plate package thickness must be strictly adhered to!**

Part List (1226)

ITEM	PART NAME	SRT NUMBER	QTY
1	BACK PLATE INSERT	004-11722	1
2	HUB CARRIER	004-36700	1
3	INNER HUB	004-36741	1
4	RELEASE RING	004-11976	1
5	KLAMP HUB 3.0mm	004-11503	1
6	PRESSURE PLATE	004-36942	1
7	MAIN SPRING ø88 1310N	004-88131	1
8	TORQUE LIMITER SPRING 1100N	004-54110	1
8.1	TORQUE LIMITER SPRING 950N	004-54095	1
8.2	TORQUE LIMITER SPRING 1300N	004-54130	1
9	BALL 8.0mm	004-17801	5
10	BOLT M6x16	004-17816	5
11	CIRCLIP 34mm	004-11801	1
12	DISTANCE RING	004-11610	1
13	CIRCLIP 95mm	004-17813	1
14	DISTANCE BOLT M5x18.0mm	004-05180	6
15	LOCKING RING 95	004-00695	1
16	DISTANCE WASHER 1.0mm	004-00010	6
17	RAMP INSERT 35°	004-11712	1