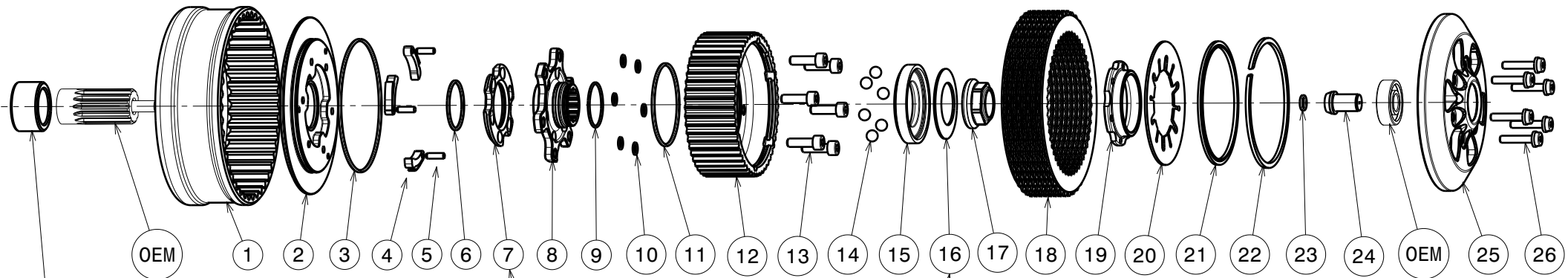


# 004-28027-1 SuterClutch Ducati Racks:

Superbike 748/749/916/996/998/999/1098/1198 **MH900e**  
 Monster 900/1000/S2R1000/S/1100 **Supersport 900/1000**  
 Sportclassic PaulSmart1000LE/sport1000 **Multistrada 1000**  
 Sporttouring bis/until 2004 ST2/ST3/ST4 **Hypermotard 1100**

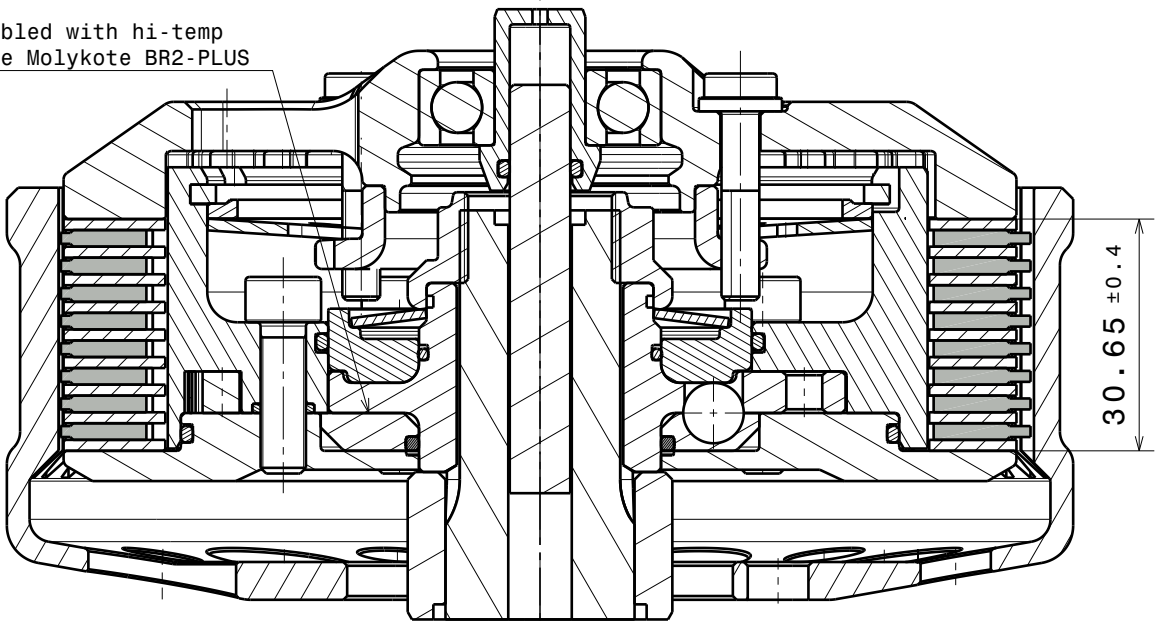


Adjustment options 7.1/7.2/7.\*

Adjustment options 16.1/16.2/16.\*

-For 748R and 749R use sleeve OEM 713.1.012.1B  
 -Für 748R und 749R Distanzbüchse OEM 713.1.012.1B verwenden!

Assembled with hi-temp grease Molykote BR2-PLUS



**Das angegebene Belagpaketmass ist zwingend einzuhalten!**  
**The plate package thickness must be strictly adhered to!**

ITEMS LIST (637)			
ITEM	PART NAME	SRT NUMBER	QTY
1	OUTER BASKET STEEL	004-28683	1
2	BACK PLATE INSERT	004-28727	1
3	O-Ring ø90.0x2.0 FPM	004-35105	1
4	RACK ELEMENT	004-35761	3
5	PIN ø4x14 h6	BN858-4x14	3
6	O-Ring ø32.0x2.0 FPM	004-28103	1
7	<b>RAMP INSERT 37.5°</b>	<b>004-28713</b>	<b>1</b>
7.1	RAMP INSERT 35.0°	004-28712	1
7.2	RAMP INSERT 40.0°	004-28714	1
7.*	RAMP INSERT 30.0° RAMP INSERT 32.5° RAMP INSERT 42.5° RAMP INSERT 45.0°	004-28710 004-28711 004-28715 004-28716	- - - -
8	HUB CARRIER	004-28701	1
9	O-Ring ø29.0x1.5 FPM	004-28101	1
10	O-Ring ø6.0x1.5 FPM	004-28106	6
11	O-Ring ø56.0x2.0 FPM	004-28104	1
12	INNER HUB	004-28746	1
13	SCREW M6x20 BN272 DIN912 HEXAGON SOCKET	004-28620	6
14	BALL ø8.0 60HRC	004-17801	6
15	RELEASE RING	004-28977	1
16	<b>TORQUE LIMITER SPRING 1700N</b>	<b>004-50170</b>	<b>1</b>
16.1	TORQUE LIMITER SPRING 1500N	004-50150	1
16.2	TORQUE LIMITER SPRING 1900N	004-50190	1
16.*	TORQUE LIMITER SPRING 1300N TORQUE LIMITER SPRING 2100N	004-50130 004-50210	- -
17.1	NUT M25x1.5 L=3.0mm (DUCATI 1098/1198)	004-999251530	1
17.2	NUT M20x1 L=3.0mm	004-999201030	1
18	CLUTCH PACKAGE COMPLETE	004-28820	1
19	KLAMP HUB 7mm DUCATI	004-28507	1
20.1	<b>DISK SPRING MAIN 47x88x1400N (DUCATI 1098/1198)</b>	<b>004-88140</b>	<b>1</b>
20.2	DISK SPRING MAIN 47x88x1235N	004-88123	1
21	LOOKING RING ø88mm	004-00688	1
22	CIRCLIP FOR HOLE ø90 SB90	004-17804	1
23	O-Ring ø8.0x2.0 FPM	004-28107	1
24	CLUTCH PUSH	004-28320	1
25	PRESSURE PLATE	004-28947	1
26	SCREW M5x24.5 HEXAGON SOCKET	004-05245	6

\* = optional erwerbbar / optionally acquirable