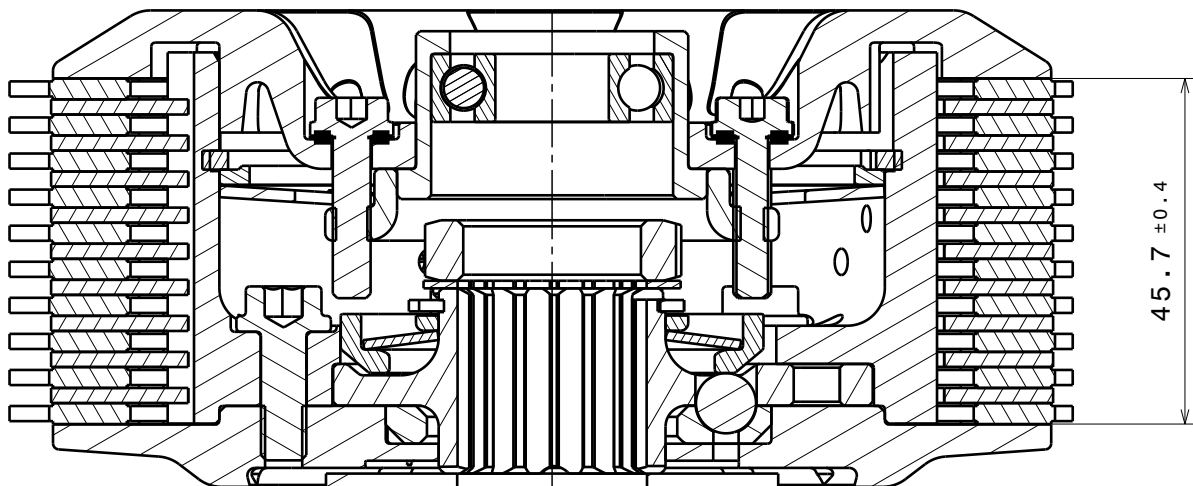
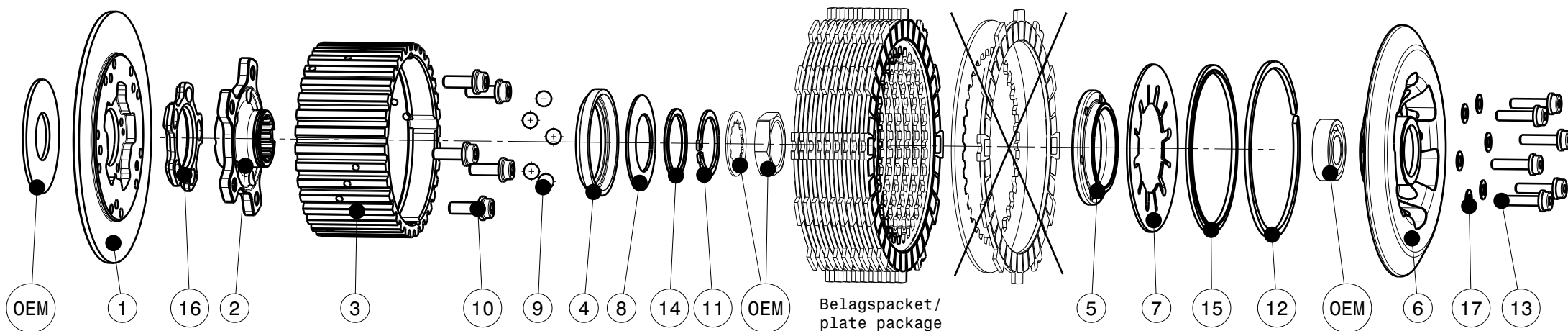


# 004-28008-2 SuterClutch Ducati Panigale 1199/1299



## Belagspaket:

Die oberste Reib- und Stahlscheibe muss vom Packet entfernt werden und wird nicht verwendet!

## Plate Package:

Remove the first friction and steel disk, they will not be used!

## Part List: 928

POS	PART NAME	SRT NUMBER	QTY
1	BACK PLATE INSERT	004-18721	1
2	HUB CARRIER	004-28705	1
3	INNER HUB	004-28742	1
4	RELEASE RING	004-15975	1
5	KLAMP HUB 5mm	004-00505	1
6	PRESSURE PLATE	004-28943	1
7	<b>MAIN SPRING 47x88x1500N</b>	<b>004-88150</b>	<b>1</b>
8	<b>TORQUE LIMITER SPRING 1300N</b>	<b>004-50130</b>	<b>1</b>
8.1	TORQUE LIMITER SPRING 1500N	004-50150	1
8.2	TORQUE LIMITER SPRING 1100N	004-50110	1
9	BALL 8mm	004-17801	5
10	BOLT M6x18	004-17807	5
11	CIRCLIP 30mm	004-00030	1
12	CIRCLIP 90mm	004-17804	1
13	DISTANCE BOLT M5x21.5	004-05215	6
14	DISTANCE RING 30x36x2	004-17610	1
15	LOCKING RING ø88	004-00688	1
16	RAMP INSERT 35°	004-00724	1
17	DISTANCE WASHER 0.5mm	004-00005	6