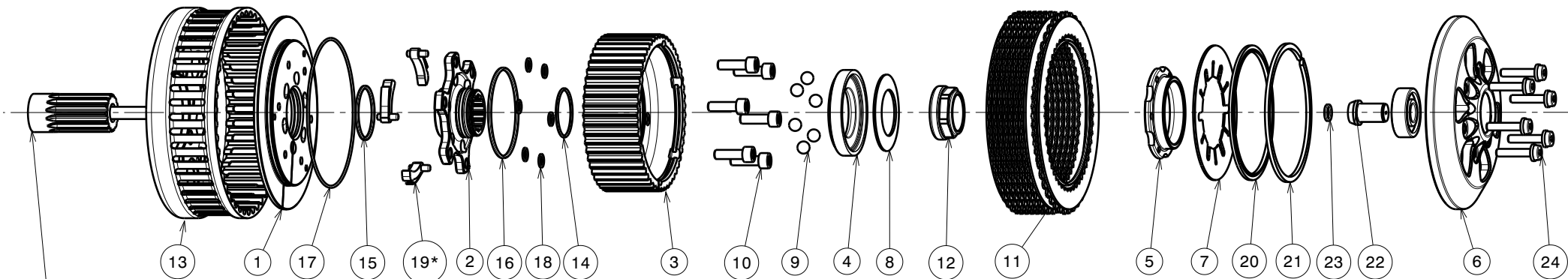
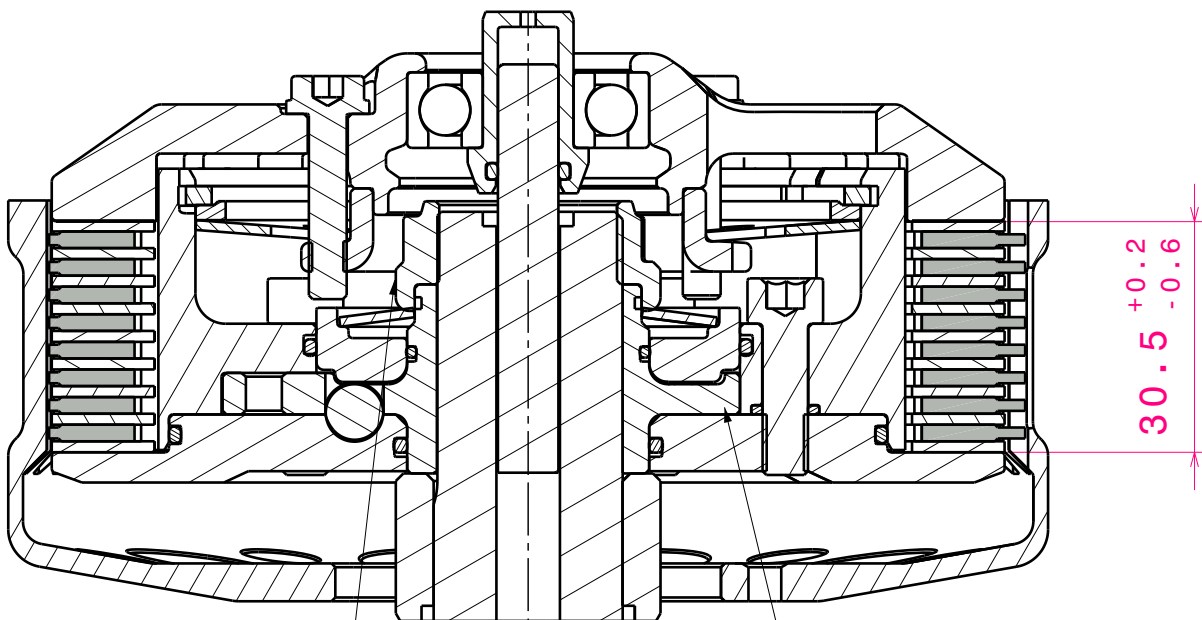


004-28006-2 SuterClutch Ducati:

Superbike 748/749/916/996/998/999 **MH900e**
 Monster 900/1000/S2R1000/S/1100 **Supersport 900/1000**
 Sportclassic PaulSmart1000LE/sport1000 **Multistrada 1000**
 Sporttouring bis/until 2004 ST2/ST3/ST4 **Hypermotard 1100**



-For 748R and 749R use sleeve OEM 713.1.012.1B
 -Für 748R und 749R Distanzbüchse OEM 713.1.012.1B verwenden!



-Die Scheibe Nr.23 biegen um die Mutter zu sichern!
 -Bend the washer No.23 to lock the nut!

Assembled with Hi-Temp grease
 Molykot BR2-PLUS

ITEMS LIST (501)			
ITEM	PART NAME	SRT NUMBER	QTY
1	BACK PLATE 37.5°	004-28726	1
2	HUB CARRIER	004-28701	1
3	INNER HUB	004-28746	1
4	RELEASE RING	004-28977	1
5	KLAMP HUB 7mm DUCATI	004-28507	1
6	PRESSURE PLATE	004-28947	1
7	DISK SPRING MAIN 47x88x1235N	004-88123	1
8	TORQUE LIMITER SPRING 1700N	004-50170	1
8.1	TORQUE LIMITER SPRING 1500N	004-50150	1
8.2	TORQUE LIMITER SPRING 1900N	004-50190	1
9	BALL 8.0MM 60HRC	004-17801	6
10	SCREW M6x20 HEXAGON SOCKET M6x20 DIN912	004-28620	6
11	CLUTCH PACKAGE COMPLETE	004-28820	1
12	NUT M20x1 L=3.5	004-999201035	1
13	OUTHER BASKET STEEL	004-28682	1
14	O-Ring 29.0x1.5 FPM	004-28101	1
15	O-Ring 32.0x2.0 FPM	004-28103	1
16	O-Ring 56.0x2.0 FPM	004-28104	1
17	O-Ring 90.0x2.0 FPM	004-35105	1
18	O-Ring 6.0x1.5 FPM	004-28106	6
19*	RACK ELEMENT SET (FOR BIKES WITHOUT ELECTRIC-STARTER)	004-35750	-
20	LOCKING RING 88mm	004-17600	1
21	CIRCLIP FOR HOLE 90mm SB90	004-17804	1
22	CLUTCH PUSH	004-28320	1
23	O-Ring 8.0x2.0 FPM	004-28107	1
24	SCREW M5x24.5 HEXAGON SOCKET	004-05245	6

-Das angegebene Belagpaketmass ist zwingend einzuhalten!
 (Mit einer Stahlscheibe 1.8mm (004-91180) Nr.13* kann das verschlissene Kupplungspaket angepasst werden!)
 -The plate package thickness must be strictly adhered to!
 (With the steel plate 1.8mm (004-91180) No.13* the worn clutch package can be adapted!)

* = optional erwerbbar / optionally acquirable