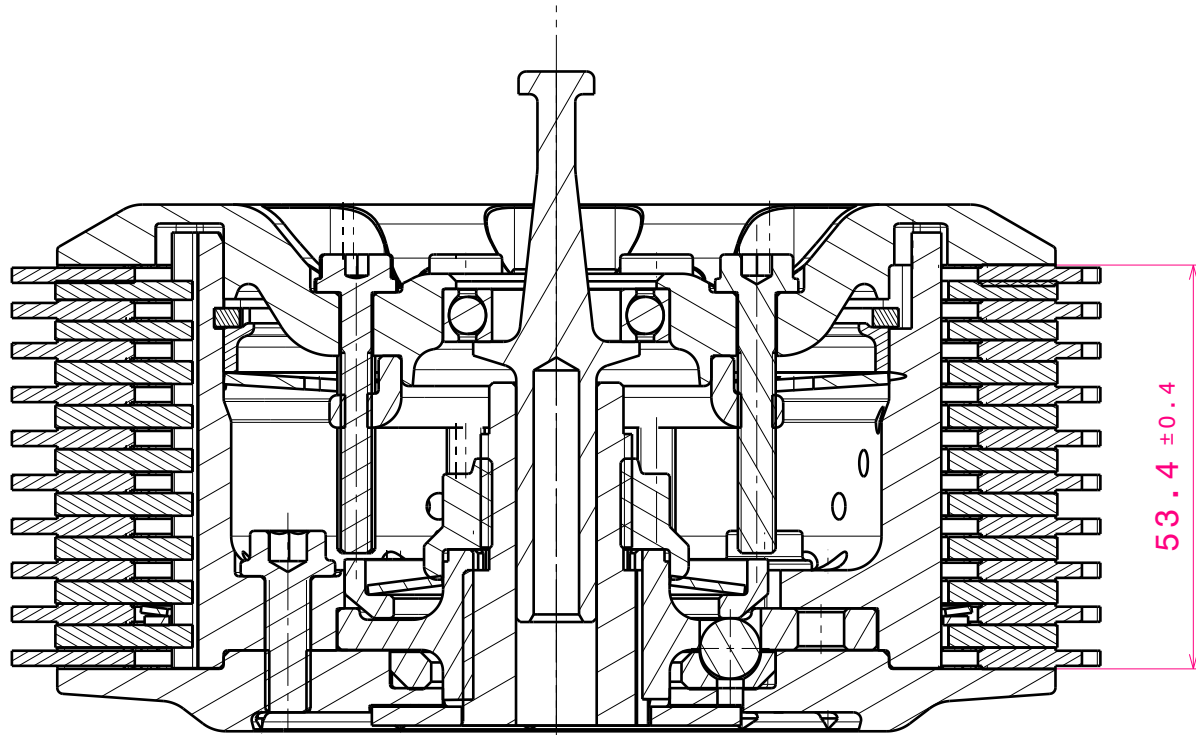
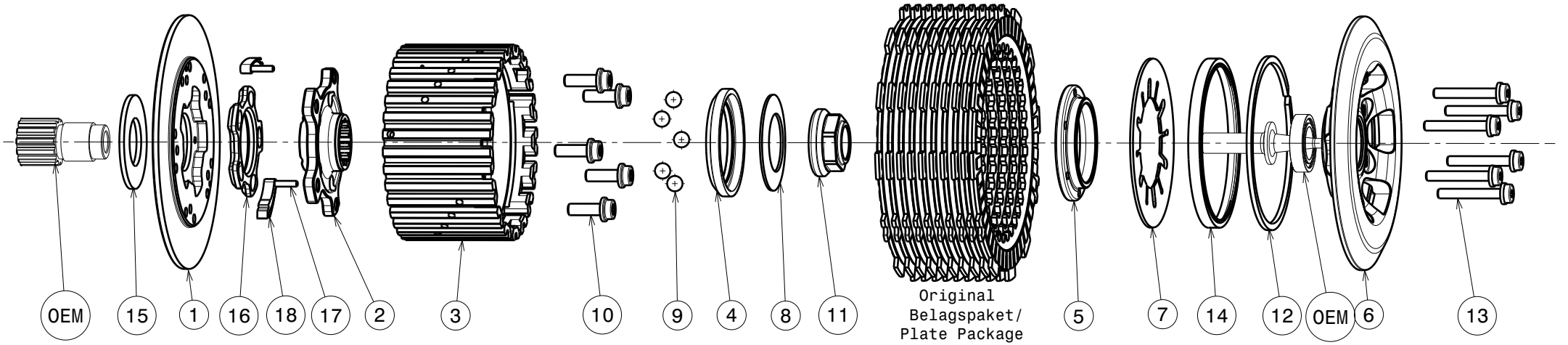


# 004-18020-1 SuterClutch Kawasaki ZX10 04-16 Racks



**Das angegebene Belagspaketmass ist zwingend einzuhalten!**  
**The plate package thickness must be strictly adhered to!**

ITEMS LIST (621)			
ITEM	PART NAME	SRT NUMBER	QTY
1	BACK PLATE RACKS	004-18722	1
2	HUB CARRIER RACKS	004-18702	1
3	INNER HUB RACKS	004-18742	1
4	RELEASE RING	004-15975	1
5	KLAMP HUB 5.0mm	004-00505	1
6	PRESSURE PLATE	004-18940	1
7	<b>DISK SPRING MAIN 47x88x1400N</b>	<b>004-88140</b>	<b>1</b>
8	<b>TORQUE LIMITER SPRING 1100N</b>	<b>004-50110</b>	<b>1</b>
8.1	TORQUE LIMITER SPRING 950N	004-50095	1
8.2	TORQUE LIMITER SPRING 1300N	004-50130	1
9	BALL 8.0MM	004-17801	5
10	SCREW M6x18	004-17807	5
11	Nut M20x1.5 L=4.0mm	004-999201540	1
12	CIRCLIP 90mm	004-17804	1
13	DISTANCE SCREW M5x34.5	004-05345	6
14	LOCKING RING 88 ZX10	004-18688	1
15	THRUST WASHER 25x49x2.5	004-18660	1
16	<b>RAMP INSERT 35.0°</b>	<b>004-00724</b>	<b>1</b>
16.1	RAMP INSERT 32.5°	004-00723	1
16.2	RAMP INSERT 37.5°	004-00725	1
17	Pin ø3x16	BN858-3x16	2
18	Rack Element Small	004-00750	2