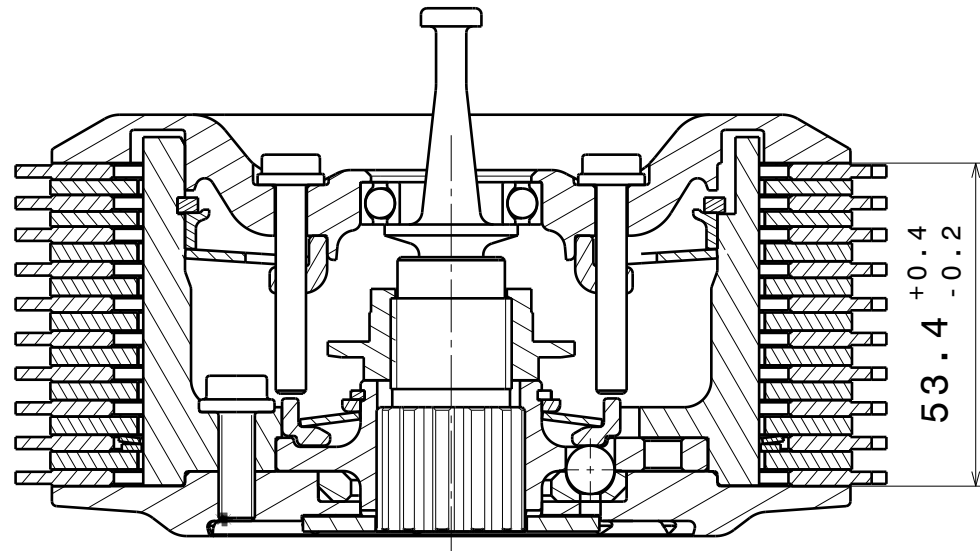
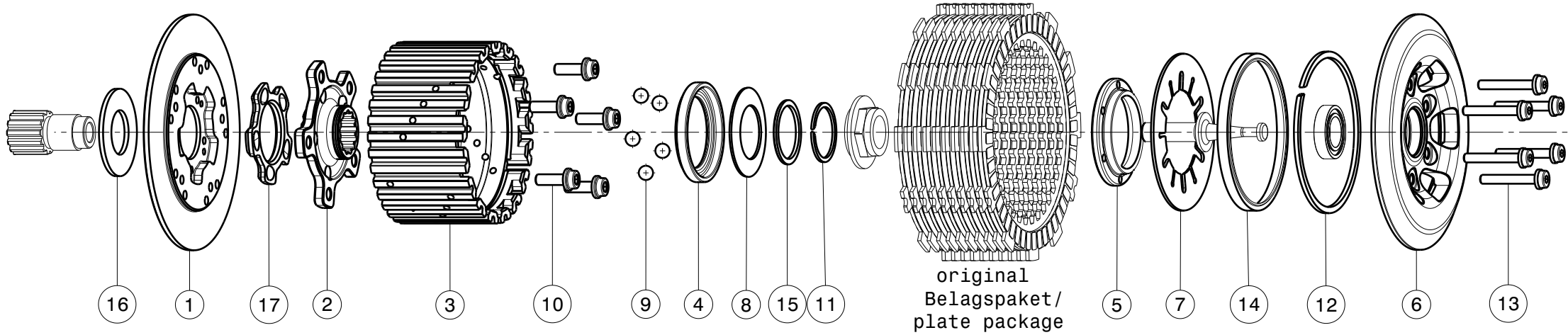


004-18001-3 SuterClutch Kawasaki ZX10 04-17



ITEMS LIST (203)			
ITEM	PART NAME	SRT NUMBER	QTY
1	BACK PLATE FOR INSERT	004-18722	1
2	HUB CARRIER	004-18701	1
3	INNER HUB	004-18740	1
4	RELEASE RING	004-15975	1
5	KLAMP HUB 5.0mm	004-00505	1
6	PRESSURE PLATE	004-18940	1
7	DISK SPRING MAIN 47x88x 1400N	004-88140	1
8	TORQUE LIMITER SPRING 950N	004-50095	1
8	TORQUE LIMITER SPRING 1100N	004-50110	1
8	TORQUE LIMITER SPRING 1300N	004-50130	1
9	BALL 8.0MM 60HRC	004-17801	5
10	SCREW M6x18 HEXAGON SOCKET	004-17807	5
11	CIRCLIP 30mm SHAFT SW30	004-00030	1
12	CIRCLIP 90mm HOLE SB90	004-17804	1
13	SCREW M5x34.5 HEXAGON SOCKET	004-05345	6
14	LOCKING RING 88 ZX10	004-18688	1
15	DISTANCE RING 30x36x1.6	004-997303616	1
16	THRUST WASHER 25x49x2.5	004-18660	1
17	RAMP INSERT 35°	004-00724	1

Das angegebene Belagspaketmass ist zwingend einzuhalten!
The plate package thickness must be strictly adhered to!