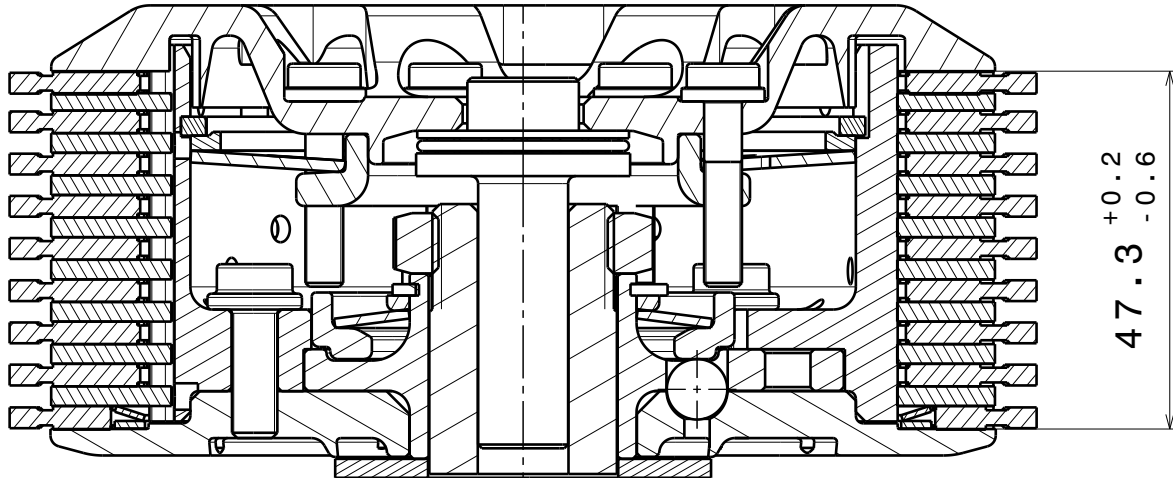
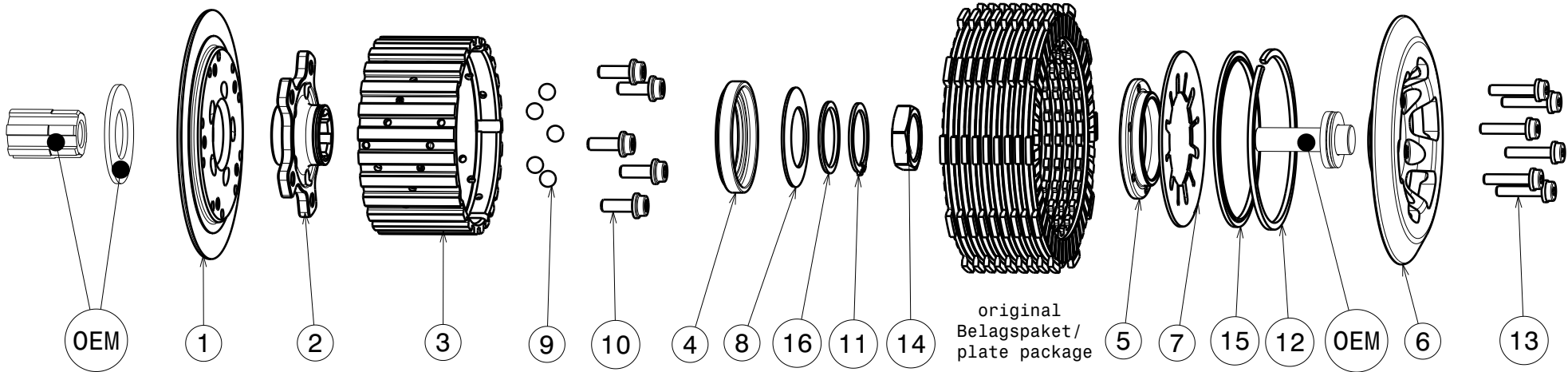


# 004-14003-2 SuterClutch Suzuki GSXR600 01-05



**Das angegebene Belagspaketmass ist zwingend einzuhalten!  
The plate package thickness must be strictly adhered to!**

ITEMS LIST (374)			
ITEM	PART NAME	SRT NUMBER	QTY
1	BACK PLATE 30°	004-14720	1
2	HUB CARRIER	004-14701	1
3	INNER HUB	004-14740	1
4	RELEASE RING	004-12975	1
5	KLAMP HUB	004-00505	1
6	PRESSURE PLATE	004-14940	1
7	<b>DISK SPRING MAIN 47x88x 1310N</b>	<b>004-88131</b>	<b>1</b>
8	<b>TORQUE LIMITER SPRING 1500N</b>	<b>004-50150</b>	<b>1</b>
8.1	TORQUE LIMITER SPRING 1300N	004-50130	1
8.2	TORQUE LIMITER SPRING 1700N	004-50170	1
9	BALL 8.0MM	004-17801	5
10	SCREW M6x17	004-17802	5
11	CIRCLIP 30mm	004-00030	1
12	CIRCLIP 90mm	004-17804	1
13	DISTANCE SCREW M5x24.5	004-05245	6
14	NUT M24x1.5	004-9982415080	1
15	LOCKING RING ø88	004-00688	1
16	DISTANCE RING ø34x38x2	004-17610	1