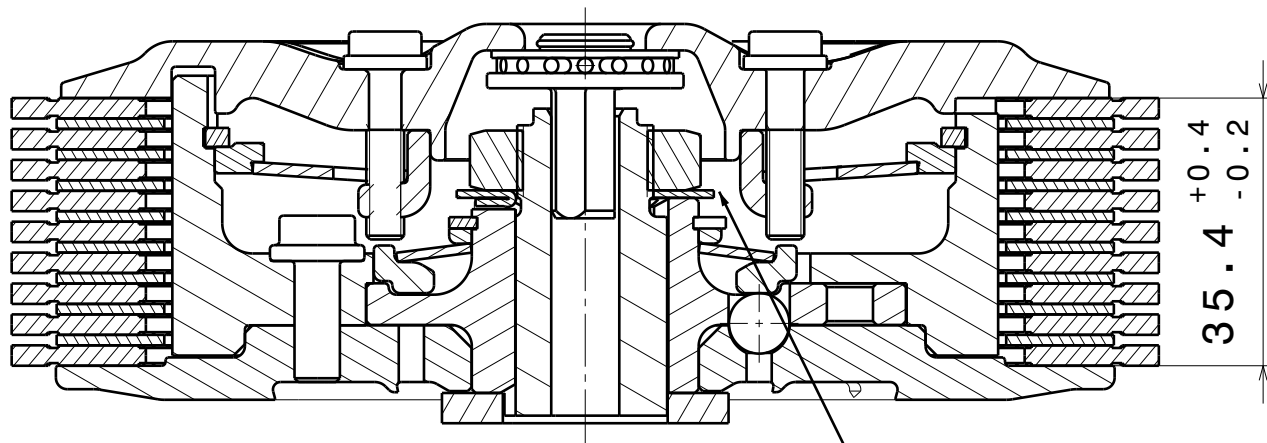
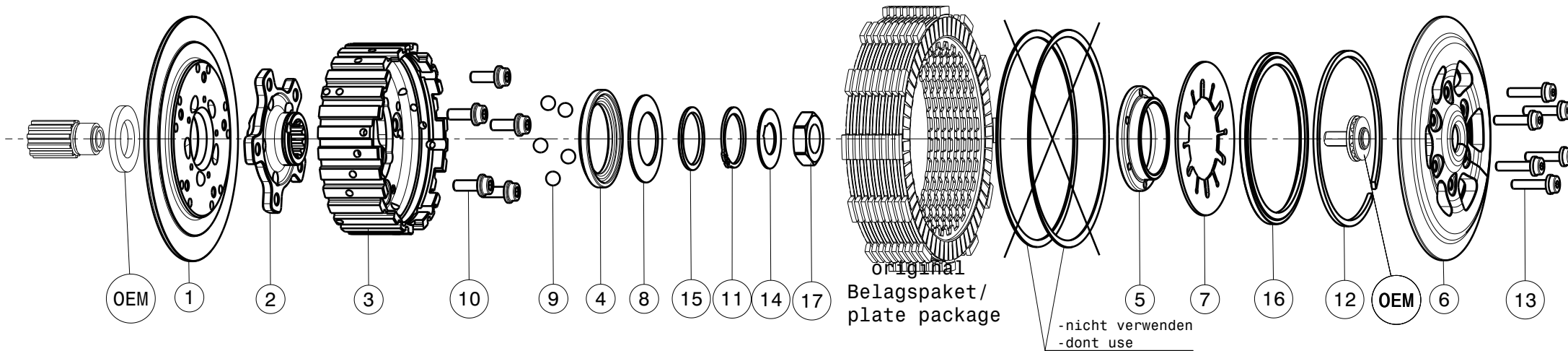


004-08001-2 SuterClutch KTM

SX-F 450/505 07-11

SMR 450/505 07-12



-Die Scheibe Nr.14 biegen
um die Mutter zu sichern!
-Bend the washer
No.14 to lock the nut!

Das angegebene Belagspaketmass ist zwingend einzuhalten!
The plate package thickness must be strictly adhered to!

ITEMS LIST (284)

| ITEM | PART NAME | SRT NUMBER | QTY |
|------|-------------------------------------|------------------|----------|
| 1 | BACK PLATE 30° | 004-21720 | 1 |
| 2 | HUB CARRIER | 004-08700 | 1 |
| 3 | INNER HUB | 004-08740 | 1 |
| 4 | RELEASE RING | 004-21976 | 1 |
| 5 | KLAMP HUB 7.0mm | 004-00507 | 1 |
| 6 | PRESSURE PLATE | 004-08941 | 1 |
| 7 | DISK SPRING MAIN 47x88x1235N | 004-88123 | 1 |
| 8 | TORQUE LIMITER SPRING 950N | 004-50095 | 1 |
| 8.1 | TORQUE LIMITER SPRING 750N | 004-50075 | 1 |
| 8.2 | TORQUE LIMITER SPRING 850N | 004-50085 | 1 |
| 8.3 | TORQUE LIMITER SPRING 1100N | 004-50110 | 1 |
| 9 | BALL 8.0MM | 004-17801 | 5 |
| 10 | SCREW M6x16 | 004-17816 | 5 |
| 11 | CIRCLIP 30mm | 004-00030 | 1 |
| 12 | CIRCLIP 100mm | 004-17833 | 1 |
| 13 | DISTANCE SCREW M5x22.5 | 004-05225 | 6 |
| 14 | LOCKING WASHER M18/34 | 004-08670 | 1 |
| 15 | DISTANCE RING 30X36X2 | 004-17610 | 1 |
| 16 | LOCKING RING 98 | 004-00698 | 1 |
| 17 | NUT M18X1.5 | 004-998181580 | 1 |